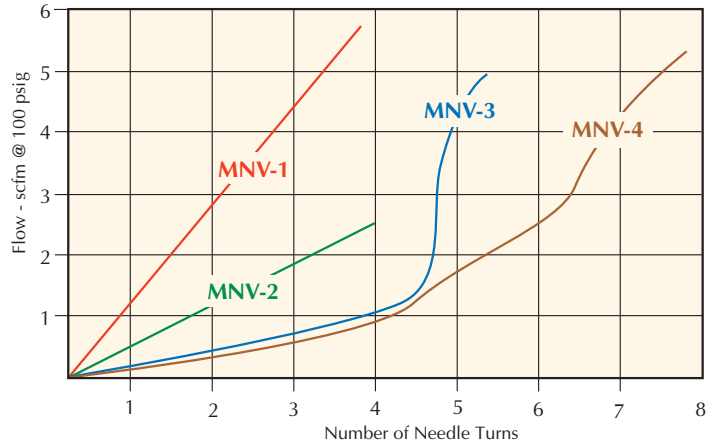
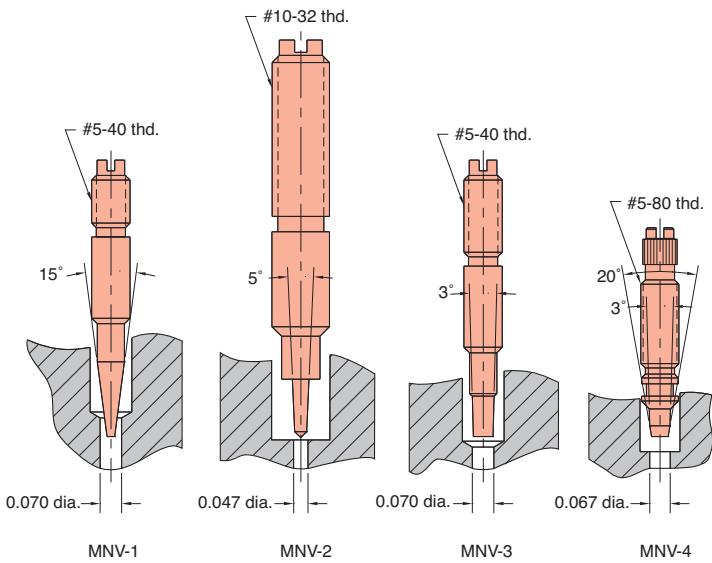


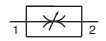


NEEDLE VALVES



Adjustable control needle valves restrict flow in both directions. There are four models offered by Clippard, all with #10-32 ports, but with various needle configurations to provide coarse or fine flow adjustment. The diagram of needle shapes and the chart on this page show the difference between these models.

Medium: Air, Water or Oil



Materials: Brass body; stainless steel needle; Nitrile seal

Mounting: Direct, in-line or #15/32-32 thread nut and lockwashers furnished as illustrated

Adjustment: Knurled knob (clockwise adjustment provides less flow), or Screwdriver slot (clockwise adjustment provides less flow).



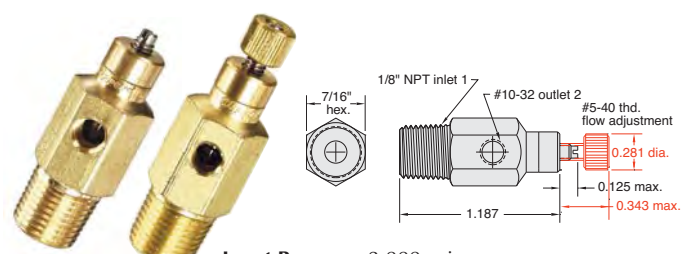
15° Needle Valves, #10-32



Input Pressure: 2,000 psig max.
Air Flow: 3 scfm @ 50 psig; 6 scfm @ 100 psig

Part No.	Description
MNV-1	Needle Valve, #10-32, Screwdriver Slot
MNV-1K	Needle Valve, #10-32, Knurled Knob

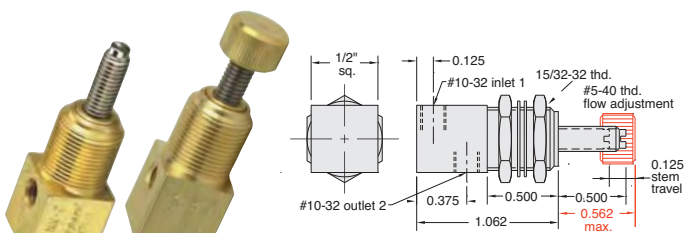
15° Needle Valves, 1/8" NPT



Input Pressure: 2,000 psig max.
Air Flow: 3 scfm @ 50 psig; 6 scfm @ 100 psig

Part No.	Description
MNV-1P	Needle Valve, 1/8" NPT, Screwdriver Slot
MNV-1KP	Needle Valve, 1/8" NPT, Knurled Knob

5° Needle Valves, #10-32



Input Pressure: 300 psig max.
Air Flow: 1 scfm @ 50 psig; 2.5 scfm @ 100 psig

Part No.	Description
MNV-2	Needle Valve, #10-32, Screwdriver Slot
MNV-2K	Needle Valve, #10-32, Knurled Knob

3° Needle Valves, #10-32

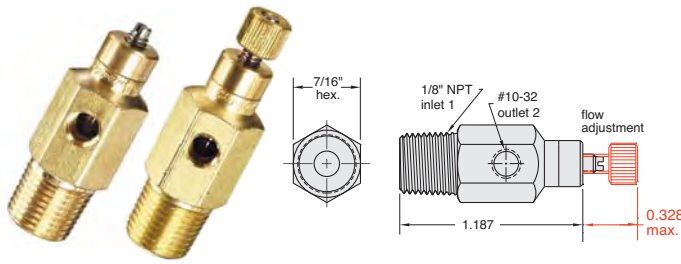


Input Pressure: 2,000 psig max.
Air Flow: 2.5 scfm @ 50 psig; 5 scfm @ 100 psig

Part No.	Description
MNV-3	Needle Valve, #10-32, Screwdriver Slot
MNV-3K	Needle Valve, #10-32, Knurled Knob

Metric line available. Visit www.clippard.com

3° Needle Valves, 1/8" NPT



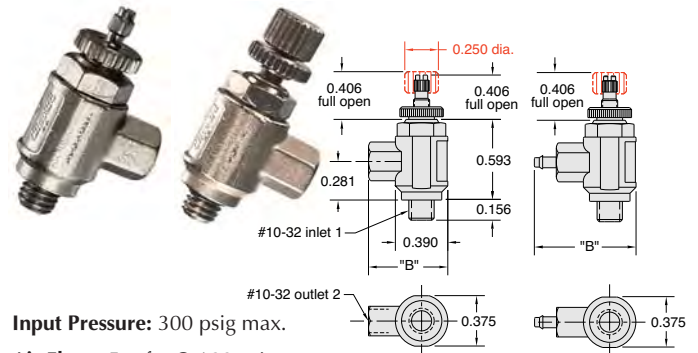
Input Pressure: 2,000 psig max.

Air Flow: 2.5 scfm @ 50 psig; 5 scfm @ 100 psig

Part No.	Description
MNV-3P	Needle Valve, #10-32, Screwdriver Slot
MNV-3KP	Needle Valve, #10-32, Knurled Knob



3° Needle Valves, #10-32

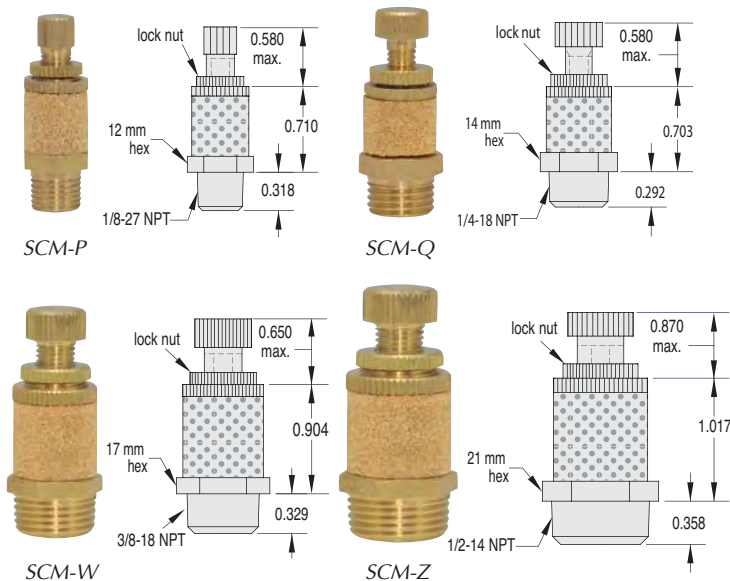


Input Pressure: 300 psig max.

Air Flow: 5 scfm @ 100 psig

Part No.	Side Port	"B"	Note: Knurled locking nut standard
MNV-4	#10-320593	Screwdriver Slot
MNV-41	1/16 Barb0750	
MNV-42	1/8 Barb0906	Knurled Knob
MNV-4K	#10-320593	
MNV-4K1	1/16 Barb0750	
MNV-4K2	1/8 Barb0906	

Speed Control Mufflers

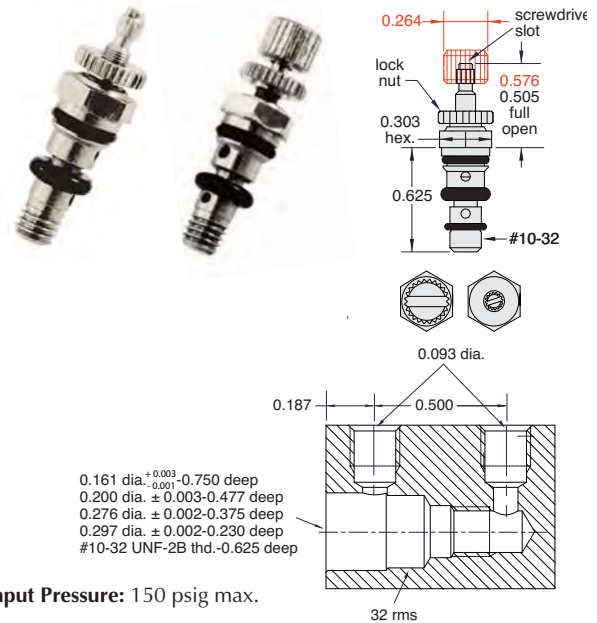


Knurled knob length based on minimum thread engagement.

Material: Solid brass body; sintered bronze muffler (40 micron)

Part No.	Description
SCM-P	Muffler, 1/8-27 NPT
SCM-Q	Muffler, 1/4-18 NPT
SCM-W	Muffler, 3/8-18 NPT
SCM-Z	Muffler, 1/2-14 NPT

NEW! 3° Cartridge Needle Valves



Input Pressure: 150 psig max.

Air Flow: 5 scfm @ 100 psig

Part No.	Description
MNV-4C	4-Way Needle Cartridge Valve, Screwdriver Slot
MNV-4CK	4-Way Needle Cartridge Valve, Knurled Knob

Metric line available. Visit www.clippard.com



NEW! NEEDLE VALVES

Needle Valves are used to control the rate of flow in a pneumatic system by controlling flow in both directions. Material enters the input port, travels through an adjustable orifice and out the output port. Available with multiple port sizes, flow rates, mounting options and adjustment styles.

Medium: Air, Water or Oil

Input Pressure: 300 psig max.

Air Flow: GNV-3: 11 scfm @ 100 psig
 GNV-4: 45 scfm @ 100 psig
 GNV-5: 60 scfm @ 100 psig

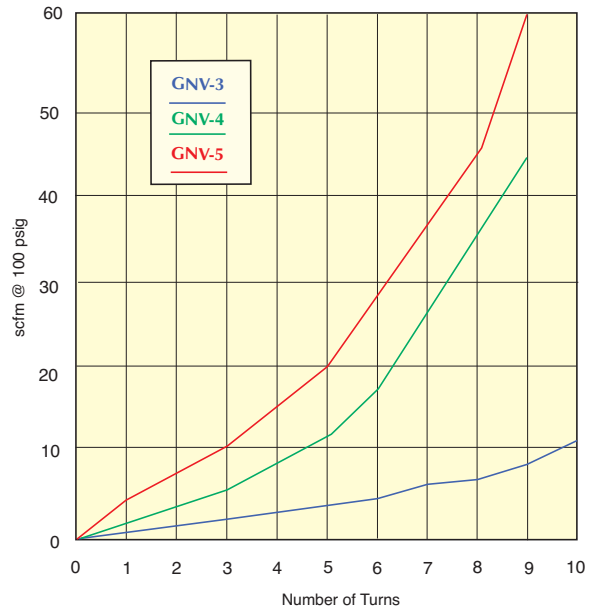
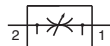
Materials: Electroless nickel plated brass body and needle, anodized aluminum housing

Mounting: Direct, in-line or cartridge style

Ports: Rotating input allows 360° positioning

Adjustment: Recessed slotted needle or knurled knob

Seals: Nitrile standard. FKM optional.

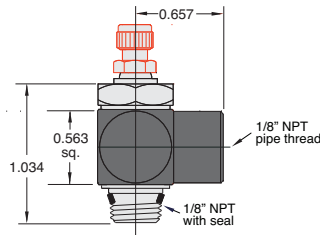


- Provide bidirectional flow control
- Rugged and compact design
- Multiple mounting options
- 360° rotating ports
- Ideal for use with Push-Quick fittings

Direct Mount Needle Valves, 1/8" NPT



(GNV-3R shown)

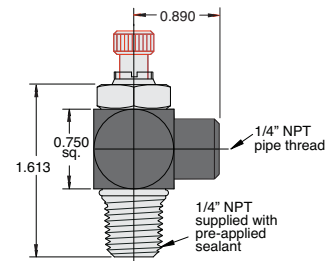


Part No.	Description
<u>GNV-3R</u>	Needle Valve, 1/8" NPT, Screwdriver Slot
<u>GNV-3K</u>	Needle Valve, 1/8" NPT, Knurled Knob

Direct Mount Needle Valves, 1/4" NPT



(GNV-4K shown)

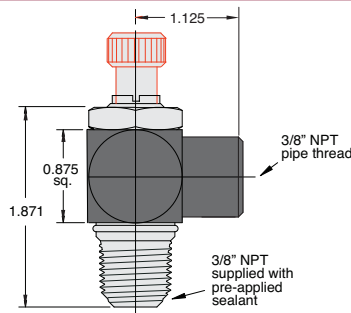


Part No.	Description
<u>GNV-4R</u>	Needle Valve, 1/4" NPT, Screwdriver Slot
<u>GNV-4K</u>	Needle Valve, 1/4" NPT, Knurled Knob

Direct Mount Needle Valves, 3/8" NPT



(GNV-5K shown)

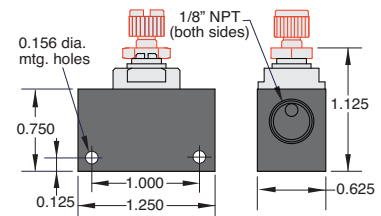


Part No.	Description
<u>GNV-5R</u>	Needle Valve, 3/8" NPT, Screwdriver Slot
<u>GNV-5K</u>	Needle Valve, 3/8" NPT, Knurled Knob

In-Line Mount Needle Valves, 1/8" NPT

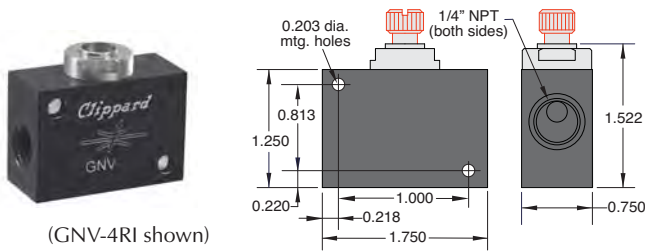


(GNV-3RI shown)



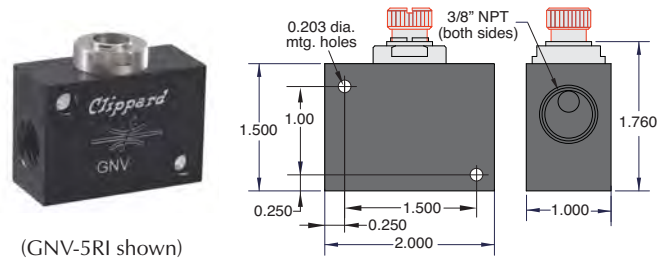
Part No.	Description
<u>GNV-3RI</u>	Needle Valve, 1/8" NPT, Screwdriver Slot
<u>GNV-3KI</u>	Needle Valve, 1/8" NPT, Knurled Knob

In-Line Mount Needle Valves, 1/4" NPT



(GNV-4RI shown)

In-Line Mount Needle Valves, 3/8" NPT

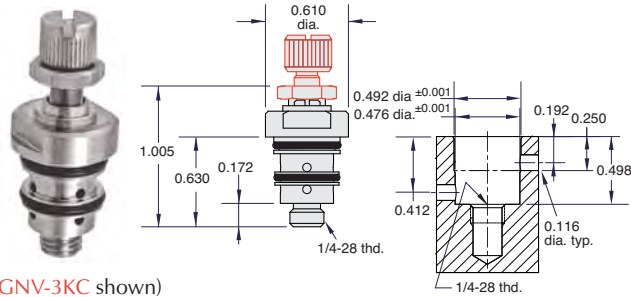


(GNV-5RI shown)

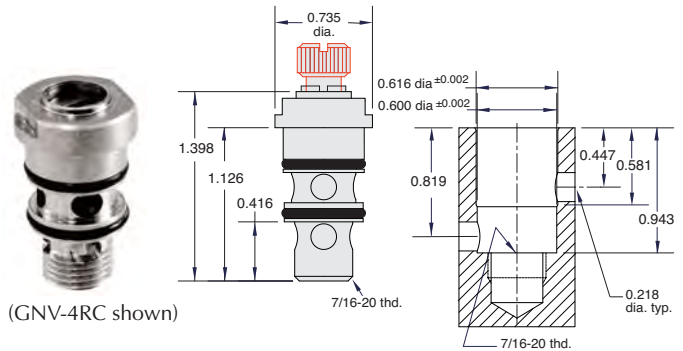
Part No.	Description
GNV-4RI	Needle Valve, 1/4" NPT, Screwdriver Slot
GNV-4KI	Needle Valve, 1/4" NPT, Knurled Knob

Part No.	Description
GNV-5RI	Needle Valve, 3/8" NPT, Screwdriver Slot
GNV-5KI	Needle Valve, 3/8" NPT, Knurled Knob

Cartridge Needle Valves



(GNV-3KC shown)

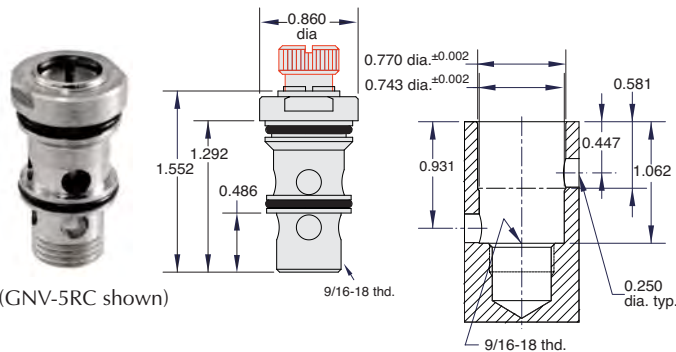


(GNV-4RC shown)

Part No.	Description
GNV-3RC	Cartridge Needle Valve, Screwdriver Slot
GNV-3KC	Cartridge Needle Valve, Knurled Knob

Part No.	Description
GNV-4RC	Cartridge Needle Valve, Screwdriver Slot
GNV-4KC	Cartridge Needle Valve, Knurled Knob

Cartridge Needle Valves



(GNV-5RC shown)

Part No.	Description
GNV-5RC	Cartridge Needle Valve, Screwdriver Slot
GNV-5KC	Cartridge Needle Valve, Knurled Knob



Clippard Push-Quick Fittings provide a simple method to connect pneumatic components to each other and system piping, and accept both flexible hose and rigid tubing. Both fittings and tubing are available in many styles, sizes and colors.

Metric line available. Visit www.clippard.com